

M7 - 1" PULSE METERS

The M7 **Super Acid-Proof** model is a speciality meter for aggressive and water based fluids. It has the ability to handle a wide range of fluid viscosities with exceptional levels of repeatability and durability.



M7RRP-1 / M7RRG-1

Product Benefits

- Light weight & Compact size.
- Two independent pulse units which can be linked to allow doubling of the pulse output (or in-built spare if used as single).
- Will handle particle sizes to 0.28mm/0.011".
- Flexibility of installation options (e.g. can be mounted horizontally or vertically; no flow conditioning required).
- Low pressure drop allows for economical pump selection or gravity flow applications.
- Meter construction enables fast and easy on-site servicing without removal from application.
- Meter design minimises the number of wearable and replaceable parts and extends product life.
- Meter accuracy is verified by factory calibration check after which an individual metrology report is issued.
- Has IP66/NEMA6 protection
- Ex(ia) applications on request

	M7RRP-X	M7RRP-XC	M7RRG-X(C)	M7RRE-X(C)
MODEL	M7RRP-X	M7RRP-XC	M7RRG-X(C)	M7RRE-X(C)
METER TYPE	PULSE	PULSE	Standard LC Display	Deluxe LCDisplay
METER BODY MATERIAL	PPS	PPS	PPS	PPS
WETTED COMPONENTS: ROTOR MATERIAL SHAFTS O-RING	PPS 316 STAINLESS STEEL NBR (NITRILE)	PPS HASTALLOY C NBR (NITRILE)	PPS 316 S/ST OR HASTALLOY C NBR (NITRILE)	PPS 316 S/ST OR HASTALLOY C NBR (NITRILE)
FLOW RATE RANGES (litres per minute/US gallons per minute) ABOVE 5 CPS to 25 / 0.26 to 6.60	3 to 80 / 0.8 to 21	3 to 80 / 0.8 to 21	3 to 80 / 0.8 to 21	3 to 80 / 0.8 to 21
BELOW 5 CPS	8 to 70 / 2 TO 18.5	8 to 70 / 2 TO 18.5	8 to 70 / 2 TO 18.5	8 to 70 / 2 TO 18.5
ACCURACY- WITHIN (OF READING)	+/- 0.5%	+/- 0.5%	+/- 0.5%	+/- 0.5%
REPEATABILITY	0.03%	0.03%	0.03%	0.03%
MAXIMUM VISCOSITY (OF STANDARD MODEL)	1000 Centipoise	1000 Centipoise	1000 Centipoise	1000 Centipoise
MAXIMUM OPERATING PRESSURE	1035 kPa/ 150 PSI/ 10 BAR	1035 kPa/ 150 PSI/ 10 BAR	1035 kPa/ 150 PSI/ 10 BAR	1035 kPa/ 150 PSI/ 10 BAR
PULSER TYPE	HALL EFFECT OR REED SWITCH OR COMBINATION HE / RS	HALL EFFECT OR REED SWITCH OR COMBINATION HE / RS	HALL EFFECT OR REED SWITCH OR COMBINATION HE / RS	HALL EFFECT OR REED SWITCH OR COMBINATION HE / RS
PULSES PER LITRE/US GALLON	52 OR 104 / 197 OR 394	52 OR 104 / 197 OR 394	52 / 197	52 / 197
MODEL DIMENSIONS METER BODY	100mm dia x 120mm h 3.94" dia x 4.72" h	100mm dia x 120mm h 3.94" dia x 4.72" h	102mm dia x 125mm h 4.02" dia x 4.92" h	135mm dia x 137mm h 5.31" dia x 5.39" h
PORT FACE TO FACE	108mm / 4.25"	108mm / 4.25"	108mm / 4.25"	108mm / 4.25"
WEIGHT	0.9kg / 1.986lbs	0.9kg / 1.986lbs	1.0kg / 2.2lbs	1.0kg / 2.2lbs
MAX. OPERATING TEMPERATURE	80°C / 176°F	80°C / 176°F	80°C / 176°F	80°C / 176°F
RECOMMENDED MESH STRAINER SIZE	60 MESH	60 MESH	60 MESH	60 MESH

Port Size To order flowmeter you must replace 'X' with the relevant number. This number will determine the following specifications:

Port Size:
1 = 1" BSP (F) ports
2 = 1" NPT (F) ports

Electrical Conduit Connection:
20mm (F)
1/2" NPT (F)

Calibrated In:
Litres
US Gallons

M7 - 1" PULSE METERS



TYPE M7 - 1" PULSE & LC DISPLAY METERS

Weights

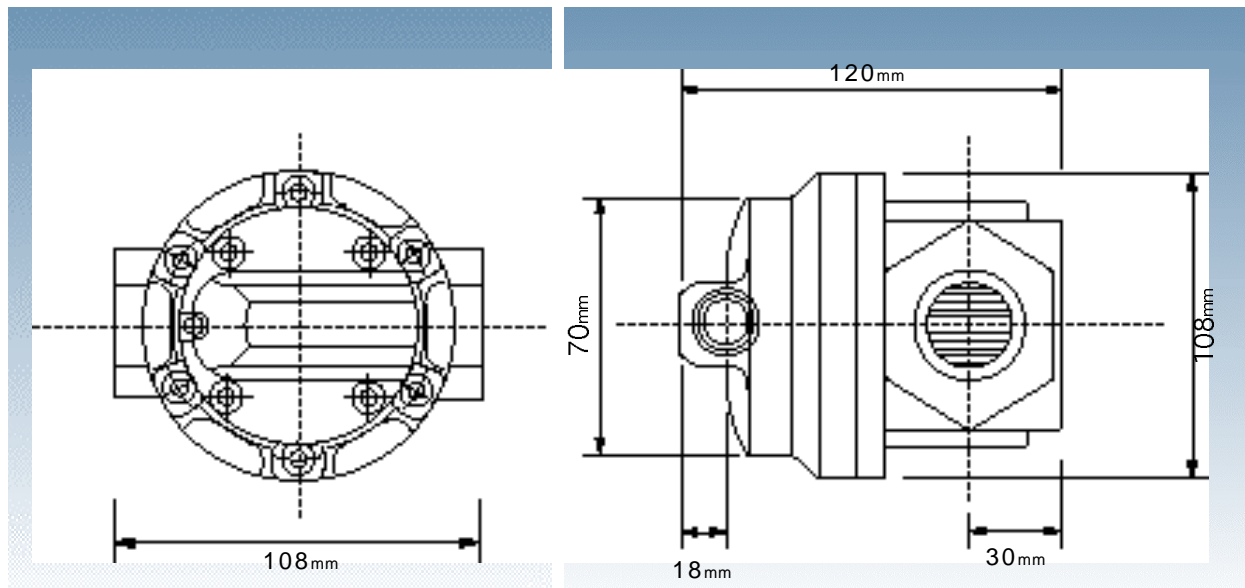
MODEL	M7RRP-X	M7RRP-XC	M7RRP-X(C)	M7RRP-X(C)
WEIGHT	0.9kg / 1.98lbs	0.9kg / 1.98lbs	1.0kg / 2.2lbs	1kg / 2.2lbs

Options & Accessories

M7 - 1" METER	VITON O-RING	TEFLON O-RING	EPDM O-RING	HIGH TEMP ROTORS	HIGH VISCOSITY ROTORS	HALL EFFECT SENSOR	REED SWITCH	SOLVENT KIT	HASTALLOY C SHAFTS	PROTECTIVE BOOT	EXTENDED LIFE BATTERY	REMOTE MOUNTED LC DISPLAY	HEATING JACKET	4-20mA MODULE
M7RRP-X	O	O	O	O	O	O	S	X	X	X	X	A	A	A
M7RRP-X(C)	O	O	O	O	O	O	S	X	X	X	X	A	A	A
M7RRG-X(C)	O	O	O	O	O	O	S	X	O	X	X	O	A	A
M7RRE-X(C)	O	O	O	O	O	O	S	X	O	X	X	O	A	A

S = Standard O = Optional X = Not Available A = Accessory

Dimensions



Macnaught Pty Ltd reserves the right to modify or alter product materials, dimensions, design and construction, when necessary, to improve the performance of our products.
Please check with your local distributor or Macnaught to confirm current specifications of our products
Issue Date: February 1999

HYDROTECHNIK



OFFICIAL UK IMPORTER:

Hydrotechnik UK Limited

CALL 0800 068 4134 Fax 020 8741 9935

www.hydrotechnik.co.uk