

# MI - 1/4" PULSE METERS

The MI is a small capacity meter in the M Series range and is differentiated by its flow rate capabilities. It has the ability to handle a wide range of fluid viscosities with exceptional levels of repeatability and durability.



MIRSP-XH



MISSPH-X

## Product Benefits

- Very compact size.
- Low flow capability with high resolution output.
- Meter accuracy is verified by a factory calibration check after which an individual metrology report is issued.
- Solid state Hall Effect Sensor or Reed Switch options.
- Low pressure drop allows for economical pump selection or gravity flow applications.
- Meter design minimises the number of wearable and replaceable parts and extends product life.
- Has IP54/NEMA13 protection. MISSPH-XY IP65-NEMA 9
- Flexibility of installation options (e.g. can be mounted horizontally or vertically; no flow conditioning required).

			H.P. MODEL	
MODEL	MIRSP-XY	MISSP-XY	MISSPH-XY	MIASP-XY
METER TYPE	PULSE	PULSE	PULSE	PULSE
METER BODY MATERIAL	PPS	316 STAINLESS STEEL	316 STAINLESS STEEL	ALUMINIUM / PPS
WETTED COMPONENTS:				
ROTOR MATERIAL	316 STAINLESS STEEL / CERAMIC	316 STAINLESS STEEL / CERAMIC	316 STAINLESS STEEL / CERAMIC	316 STAINLESS STEEL / BRONZE
SHAFTS	316 STAINLESS STEEL	316 STAINLESS STEEL	316 STAINLESS STEEL	316 STAINLESS STEEL
O'RING	VITON	VITON	VITON	VITON
FLOW RATE RANGES (litres per hour/US gallons per hour)				
ABOVE 5 CPS	2 to 100 / 0.53 to 26.4	2 to 100 / 0.53 to 26.4	2 to 100 / 0.53 to 26.4	2 to 100 / 0.53 to 26.4
BELOW 5 CPS	5 to 100 / 1.32 to 26.4	5 to 100 / 1.32 to 26.4	5 to 100 / 1.32 to 26.4	5 to 100 / 1.32 to 26.4
ACCURACY- WITHIN (OF READING)	+/- 1%	+/- 1%	+/- 1%	+/- 1%
REPEATABILITY	0.03%	0.03%	0.03%	0.03%
MAXIMUM VISCOSITY	1000 Centipoise	1000 Centipoise	1000 Centipoise	1000 Centipoise
MAXIMUM OPERATING PRESSURE	500kPa/ 75 PSI/ 5 BAR	1000kPa/ 150PSI/ 10BAR	55160kPa/ 8000PSI/ 551BAR	500kPa/ 75PSI/ 5BAR
PULSER TYPE	HALL EFFECT SENSOR OR REED SWITCH	HALL EFFECT SENSOR OR REED SWITCH	HALL EFFECT SENSOR OR REED SWITCH	HALL EFFECT SENSOR OR REED SWITCH
PULSES PER LITRE/US GALLON	1000 / 3785.4	1000 / 3785.4	1000 / 3785.4	1000 / 3785.4
MODEL DIMENSIONS				
METER BODY	50x50mm / 1.97"x1.97"	50x50mm / 1.97"x1.97"	86mm dia x 110mm h / 3.4" dia x 4.33" h	50mm x 50mm / 1.97" x 1.97"
PORT FACE TO FACE	65mm / 2.58"	65mm / 2.58"	83mm / 3.26"	60mm / 2.36"
WEIGHT	240g / 8.5oz	600g / 21.2oz	3.3kg / 116.5oz	310g / 11oz
MAX. OPERATING TEMPERATURE	80°C / 176°F	120°C / 248°F	120°C / 248°F	80°C / 176°F
RECOMMENDED MESH STRAINER SIZE	200 MESH	200 MESH	200 MESH	200 MESH

**X-Port Size** To order flowmeter you must replace 'X' with the relevant number. This number will determine the following specifications:  
**Y-Switch Operation** (ie: Specify 'H' for Hall Effect or 'R' for Reed Switch)

### Port Size:

- 1 = 1/4" BSP (F) ports
  - 2 = 1/4" NPT (F) ports
  - 1 = 1/4" BSP (F) ports
  - 2 = 1/4" NPT (F) ports
- HP only with pulser cap

### Calibrated In:

- litres
- US gallons
- litres
- US gallons

### Electrical Connections

- 1m/39" pulser fly lead
- 1m/39" pulser fly lead
- 20mm (F) Conduit Thread
- 1/2" NPT (F)

PPS = Polyphenylene Sulfide Resins



# MI - 1/4" PULSE METERS

# TYPE MI - 1/4" PULSE METERS

## Options & Accessories

MI - 1/4" METER	VITON O-RING	PERFLUORO ELASTOMER	EPDM O-RING	HIGH TEMP ROTORS	HIGH VISCOSITY ROTORS	HALL EFFECT SENSOR	REED SWITCH	SOLVENT KIT	PPS ROTORS WITH HASTALLOY C SHAFTS	REMOTE MOUNTED LC DISPLAY	4-20mA MODULE (REMOTE)
M1RSP-XY	S	O	O	X	X	O	S	X	O	A	A
M1SSP-XY	S	O	O	X	X	O	S	X	X	A	A
M1SSPH-XY	S	O	O	X	X	O	S	X	X	A	A
M1ASP-XY	S	O	O	X	X	O	S	X	X	A	A

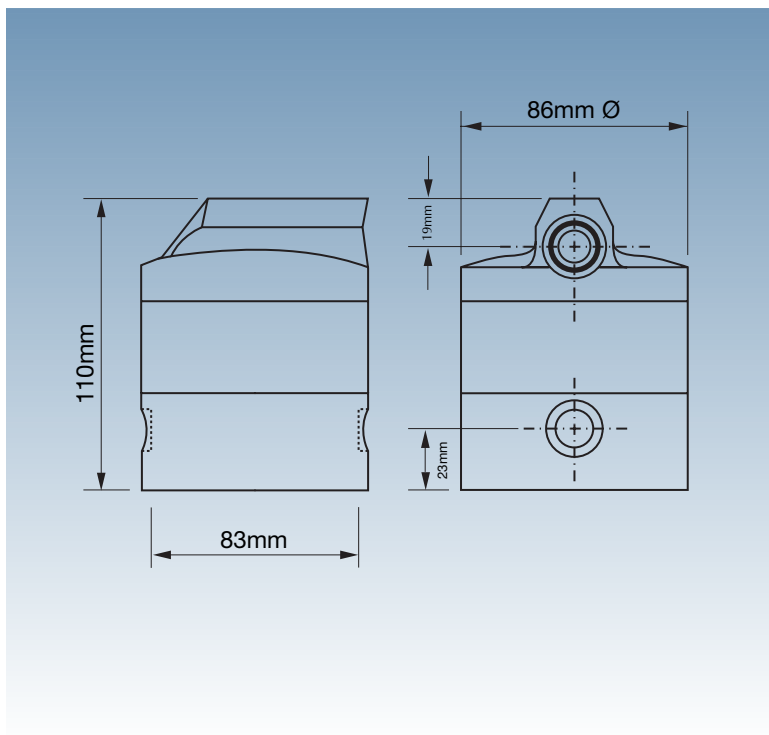
S = Standard

O = Optional

X = Not Available

A = Accessory

## Dimensions of High Pressure Meter



## Standard Meter

